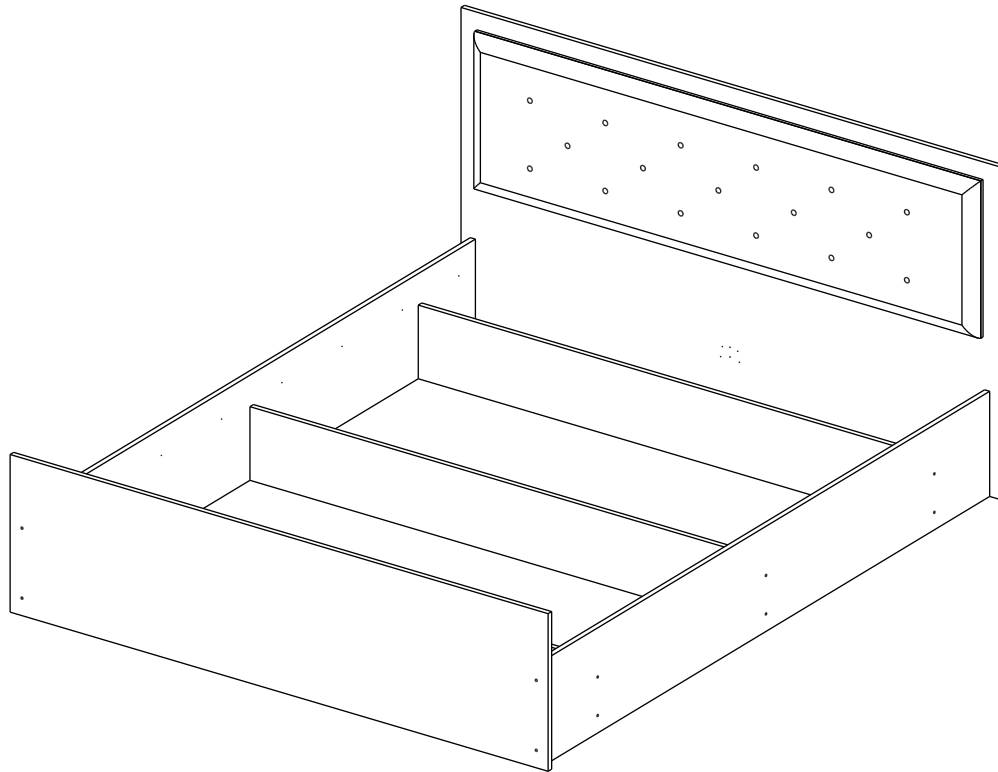
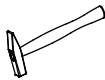
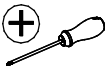
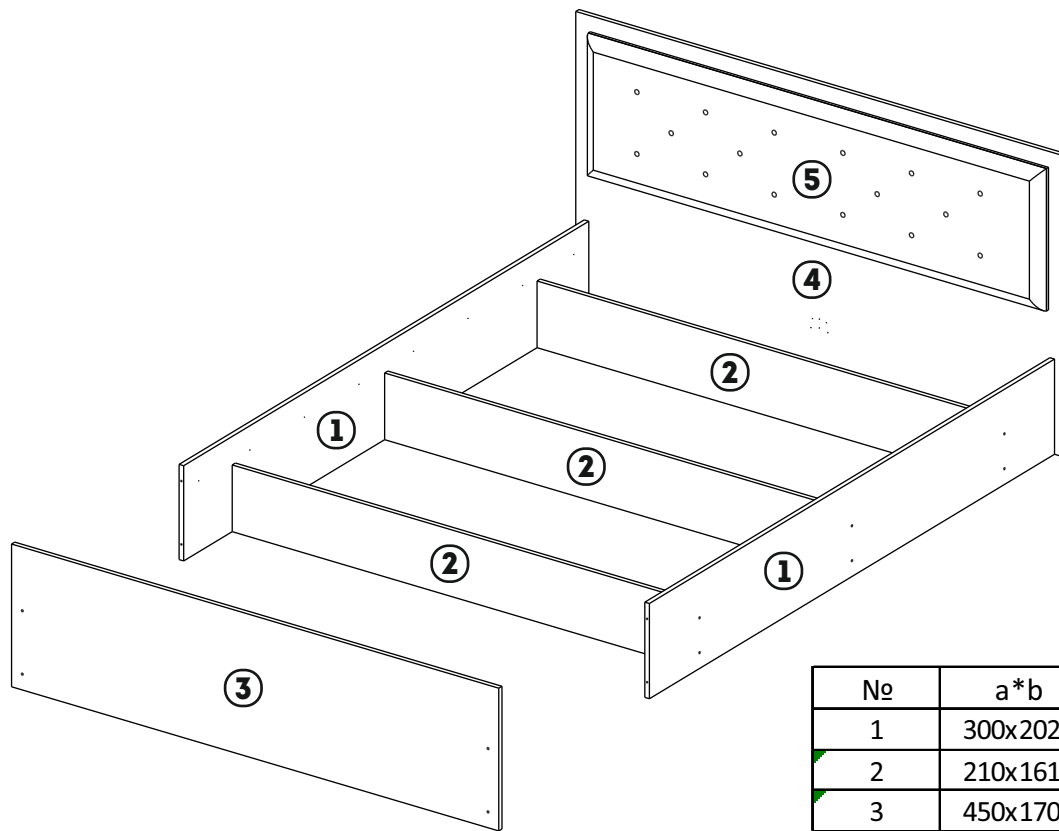




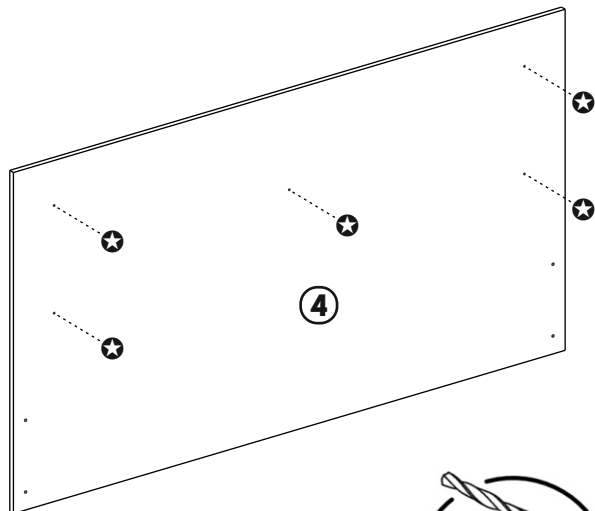
30 min



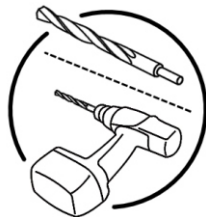


No	a*b	X
1	300x2020	2
2	210x1610	3
3	450x1700	1
4	950x1700	1

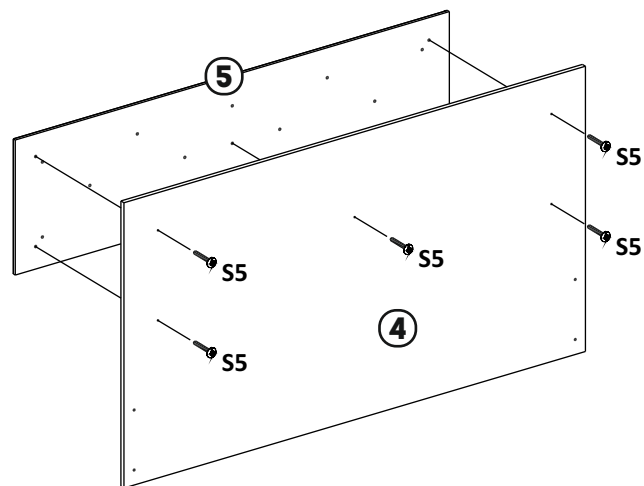
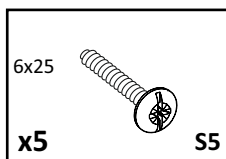
# 1



Ø 5MM

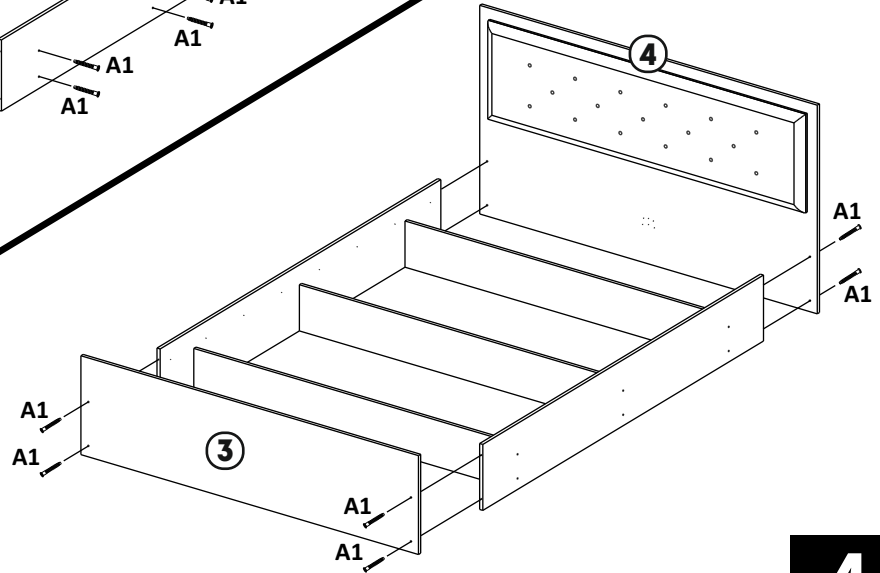
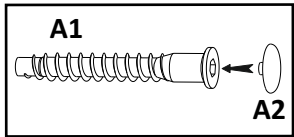
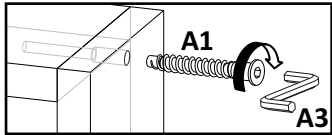
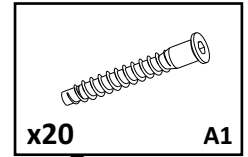
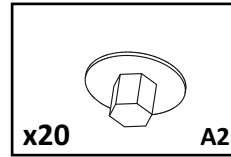
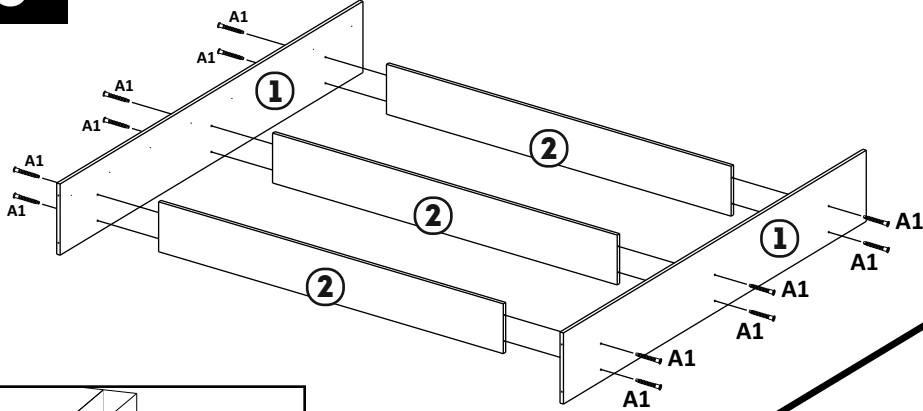


# 2



# 3

3



4

4

